



Please visit our website at [www.bedsup.com](http://www.bedsup.com) to watch our installation video



Using your smartphone, scan code to visit our website.

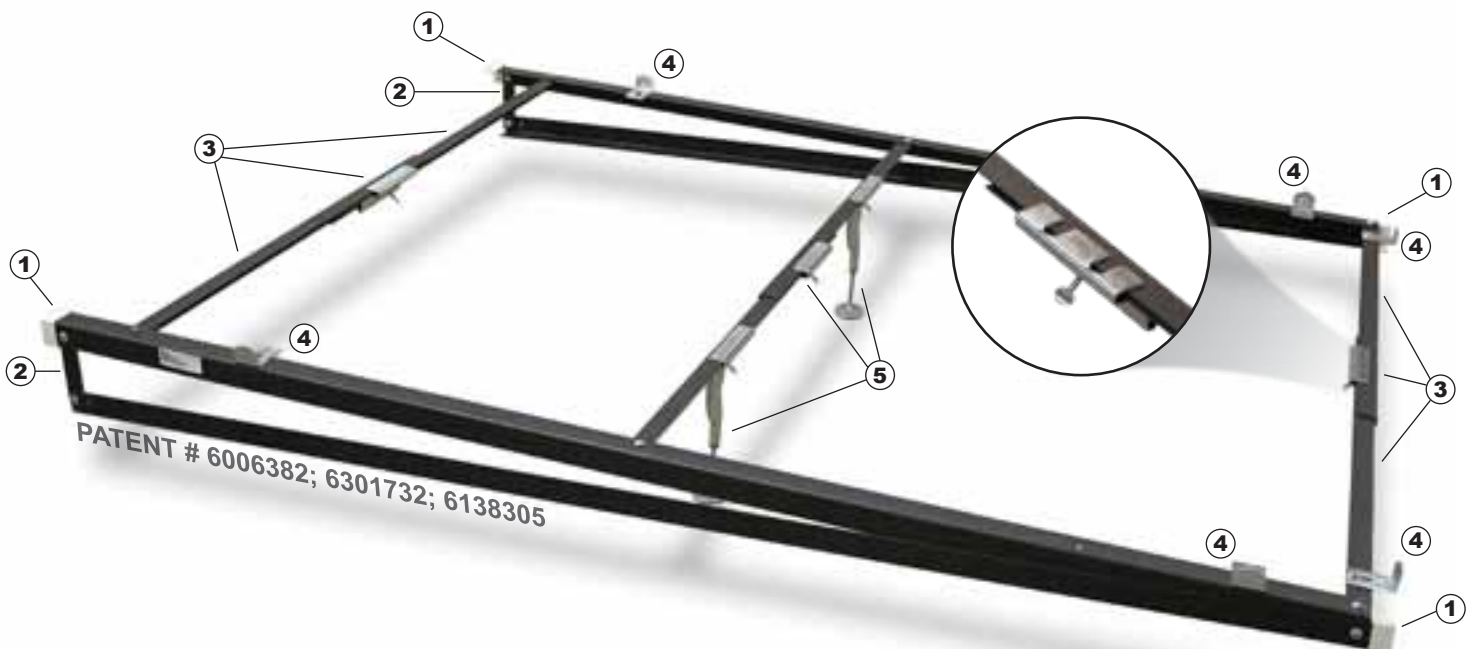
[www.bedsup.com](http://www.bedsup.com)

# HEAVY-DUTY ASSEMBLY INSTRUCTIONS

- 1 Attach **white caps** to both top and bottom rails at head end and foot end.
- 2 Secure **elevation bars** \*(2", 4", or 6") at the head and foot end of the insert using the supplied 1/4" nuts and bolts.  
\* (2" or 4" elevation bars are recommended with first-time users)
- 3 Place **insert** into bed frame and swing out head and foot end cross bars; attach clamps; tighten to the width of the box spring.
- 4 Fasten the box spring **retainer brackets** (6) using supplied 1/4" nuts and bolts.  
(Allow foot end brackets to extend beyond the frame insert)
- 5 Assemble the **center supports** and attach (2) to the insert using 1/4" nuts and bolts; adjust legs to the floor.  
*Heavy-duty 'C' clamp must be used to secure center bars*

\*\* Position the Beds Up insert to the foot end of the box spring...  
Insert is not designed to completely reach head end of box spring.

\*Make sure that all nuts, bolts and clamps have been tightened and secured\*



PATENT # 6006382; 6301732; 6138305